

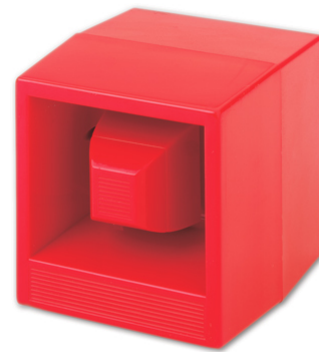


ZR454

Wireless alarm sounder

Control via interface module

ZR454 wireless alarm sounders provide a range of warning tones in areas where the installation of hard wiring is not an option. Sounders are controlled directly from the main fire alarm panel, via a loop wired radio interface module. This arrangement allows both wireless and hardwired devices to be seamlessly located on the same loop wiring. The sounder forms part of an extensive range of wireless fire alarm devices, which includes smoke/heat sensors in addition to manual callpoints. Suitable for applications specifying the recommendations of BS 5839 Part 1, the ZR454 can be addressed as a stand alone unit, operating in isolation by signals from its programmed inputs, as part of a sounder group where several units in the same location are synchronized to operate simultaneously, or be operated by both arrangements.



Highest signal integrity

To ensure the highest signal integrity the unit transmits its quiescent and fault signals to the loop module by VHF radio communication, but is switched to its operating mode by the receipt of a powerful UHF signal direct from the loop module. Installed as part of the ZP3 analogue addressable system, up to 127 devices can be connected to each of the control panel loops. Each wireless device, controlled through the ZR470 interface is assigned its own IDENT address, with which the main control panel communicates, providing the same system facilities as directly wired devices.

Dual power source

The unit's high output features selectable tone patterns, with outputs of 96 dBA measured at 1 metre. Four different tones provide signals for alert, evacuate, security alert and class change. Power is derived from two independent, separate battery sources. The ZR454 wireless alarm sounder is designed for surface fixing has no aerials external to its enclosure and is supplied complete with matching back box. Rated at IP42 the ZR454 is constructed of ABS plastic and is intended for indoor applications.

Standard Features

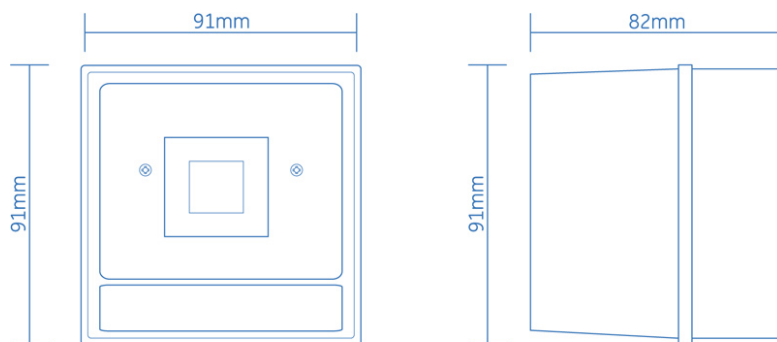
- Fully addressable
- Wire free operation
- Dual frequency – uses VHF and UHF communication bands to ensure high integrity signaling
- High output, selectable tone patterns – 96 dBA at 1 metre with four different tone patterns
- Dual battery supply – featuring two independent power sources
- No external aerials

ZR454

Wireless alarm sounder

Specifications

Model No	ZR454-2 Wireless alarm sounder - Red, ZR454-2-W Wireless alarm sounder - White
Description	Addressable wireless alarm sounder
Compatibility	All ZP3 analogue systems via ZP740 loop module
Operating frequency	UHF 458.5 - 459.5 MHz, VHF 173.245 MHz
Approval	R&TTE to ETS 300-200
Addressing method	Unique address embedded in firmware
Mounting	Surface
Monitoring	Continuously self-checking
Sound options	4 tone patterns
Sound level (at 1m)	90 dBA
Operating voltage	3.7 Vdc
Power supply	4 x 3.7 V lithium TCL AA cells
Current	4.3 mA (average active)
Number per RLM	127 (max)
Application	Indoor installation
EN60529 rating	IP42
Temperature range	-10°C to +70°C
Humidity range	10% to 95% RH (non condensing)
EMC	CE marked (IEC89/336)
Material	Moulded thermoplastic
Dimensions	91 mm (W x 91 mm (H) x 82 mm (D)
Colour	ZR454-2 Red ZR454-2-W White
Weight	380g
Publication No	PS1494



1344-02

Ordering Information

Part No.	Description
ZR454	Wireless alarm sounder

As a company of innovation, GE Security reserves the right to change product specifications without notice. For the latest product specifications, visit [GE Security online](#) or contact your GE Security sales representative.

IPS-ZR454-2008-11-17 15:34:17 Released : 23.04.2008

UK Sales: 8 Newmarket Court, Chippenham Drive, Kingston, Milton Keynes, MK10 0AQ, United Kingdom, Telephone +44 (0) 1908 281981, Fax +44 (0) 1908 282554
South Africa: Ziton House, 555 Voortrekker Road, Maitland, 7405, P.O. Box 181, Maitland, 7404, South Africa, Telephone +27 (0)21 506 6000, Fax +27 (0)21 506 6050